

## CAPABILITIES

### Zero-tail Swing

Kubota's zero-tail swing is an advanced mini excavator. 360° swing, excellent stability and smooth control, combined with unmatched power and efficiency, mean there are no limits to what you can accomplish – even in heavy traffic areas and inside buildings.

### Steel Bonnet

For extra strength and easier repairs, the U15-3's bonnet and side covers are steel made.

### Boom Cylinder

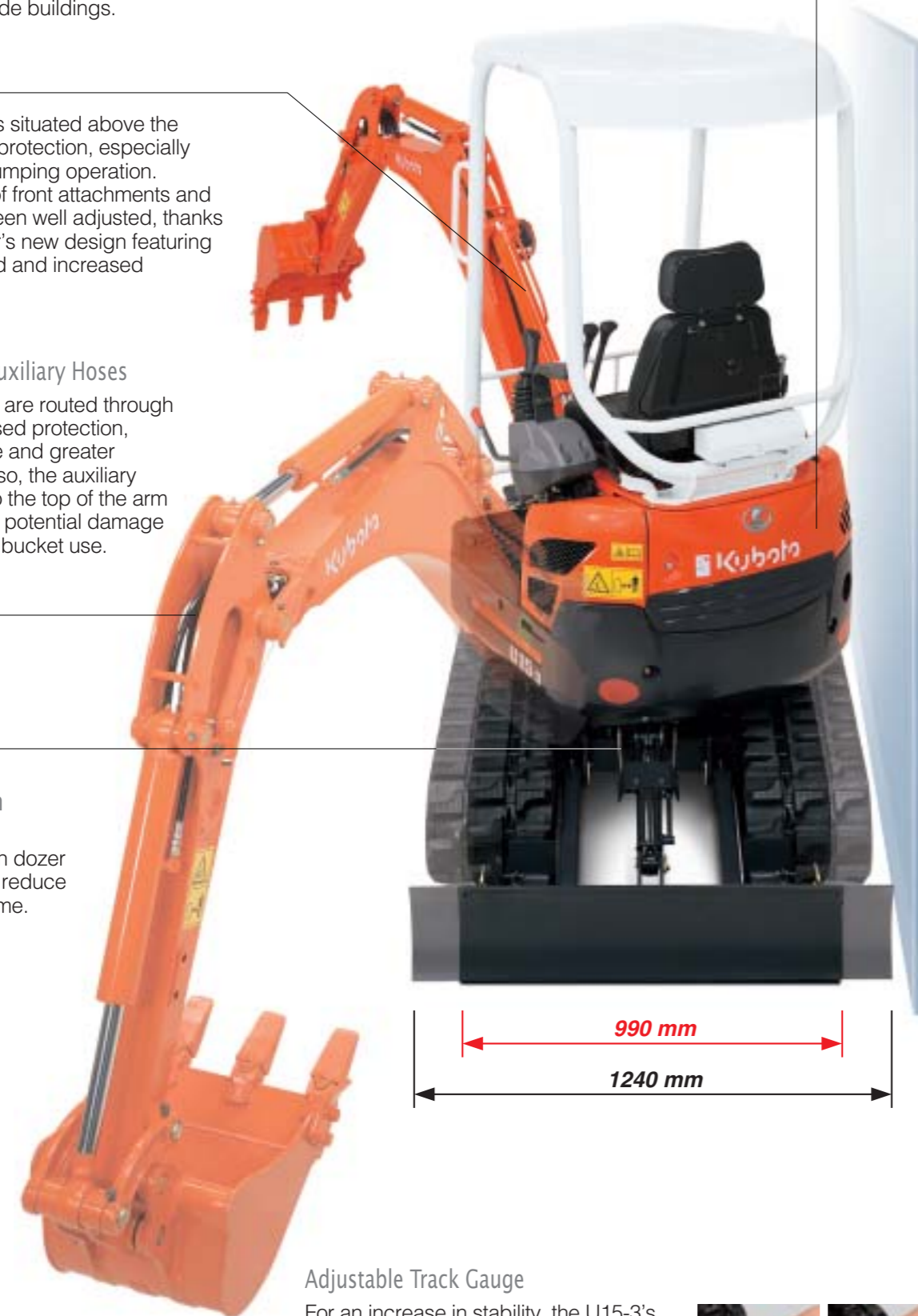
The boom cylinder is situated above the boom for maximum protection, especially during breaker or dumping operation. Movement speeds of front attachments and lifting power have been well adjusted, thanks to the boom cylinder's new design featuring a larger diameter rod and increased hydraulic pressure.

### Protected Front & Auxiliary Hoses

Front cylinder hoses are routed through the boom for increased protection, extended service life and greater operator visibility. Also, the auxiliary hoses extend only to the top of the arm to protect them from potential damage during narrow width bucket use.

### 2-Piece Hose Design

Our two-piece hose configuration on both dozer and boom cylinders reduce hose replacement time.



### Adjustable Track Gauge

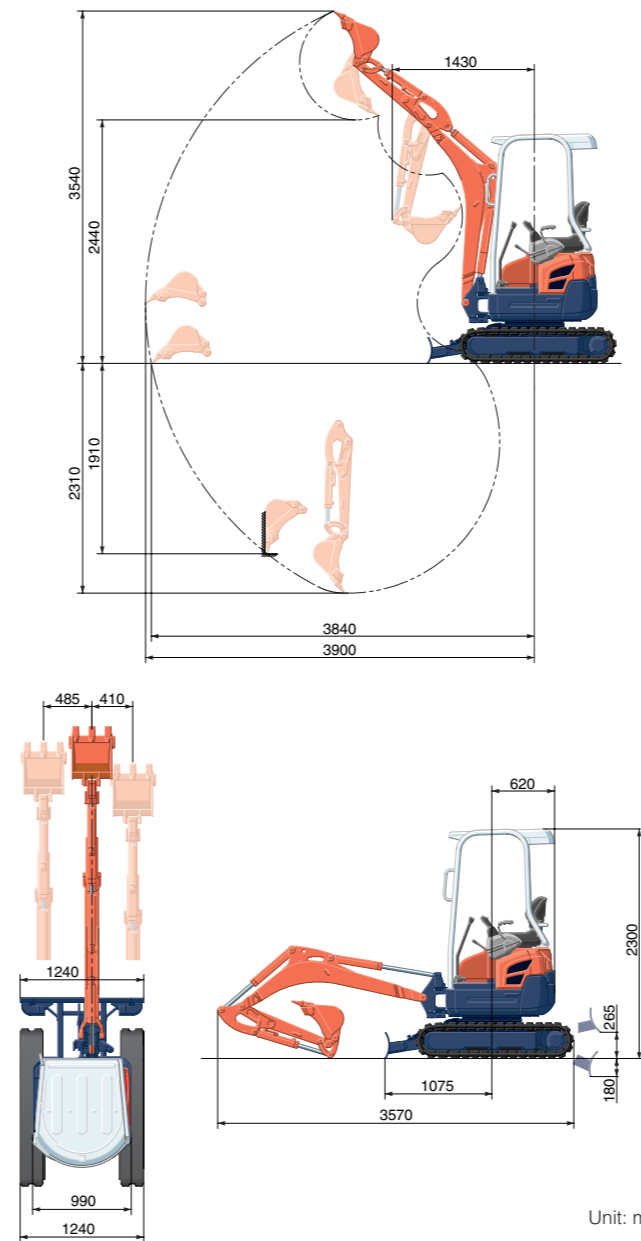
For an increase in stability, the U15-3's tracks can be expanded to a maximum 1,240 mm. When retracted, you can pass through narrow doorways and tight work areas. And on both ends of the dozer, dozer blade extensions are standard.



## SPECIFICATIONS

		*Rubber shoe type		
Machine weight	kg	1600		
Bucket capacity, std. SAE/CECE	m <sup>3</sup>	0.04		
Bucket width	with side teeth	mm	450	
	without side teeth	mm	400	
Engine	Model	D782		
	Type	Water cooled		
	Output ISO9249	PS/rpm	13/2300	
		kW/rpm	9.6/2300	
	Number of cylinders	3		
	Bore x Stroke	mm	67 x 73.6	
Displacement	cc	778		
Overall length	mm	3570		
Overall height	mm	2300		
Swivelling speed	rpm	8.7		
Rubber shoe width	mm	230		
Tumbler distance	mm	1230		
Dozer size (width x height)	mm	990/1240x260		
Hydraulic pumps	P1, P2	Variable displacement pump		
	Flow rate	ℓ/min	16.6+16.6	
	Hydraulic pressure	MPa (kgf/cm <sup>2</sup> )	21.6	
	P3	Gear pump		
Flow rate	ℓ/min	10.4		
	Hydraulic pressure	MPa (kgf/cm <sup>2</sup> )	18.6	
Max. digging force	Arm	kN (kgf)	8.8 (900)	
	Bucket	kN (kgf)	15.2 (1550)	
Boom swing angle (left/right)	deg	65/58		
Auxiliary circuit	Flow rate	ℓ/min	27	
	Hydraulic pressure	MPa (kgf/cm <sup>2</sup> )	18.6	
Hydraulic reservoir	ℓ	23		
Fuel tank capacity	ℓ	18		
Max. travelling speed	Low	km/h	2.2	
	High	km/h	4.3	
Ground contact pressure	kPa	26.4		
Ground clearance	mm	160		

## WORKING RANGE



Unit: mm

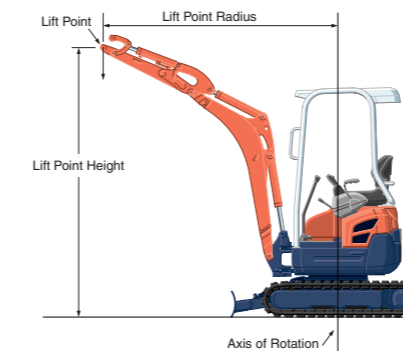
## LIFTING CAPACITY

Lift Point Height	Lifting point radius (2m)			Lifting point radius (3m)		
	Over-front		Over-side	Over-front		Over-side
	Blade Down	Blade UP		Blade Down	Blade UP	
1.5m	4.5 (0.46)	4.0 (0.41)	3.7 (0.38)	3.6 (0.37)	2.1 (0.22)	2.0 (0.20)
1.0m	6.2 (0.63)	3.8 (0.39)	3.5 (0.36)	3.8 (0.38)	2.1 (0.21)	2.0 (0.20)
0.5m	6.9 (0.70)	3.6 (0.37)	3.3 (0.34)	3.8 (0.39)	2.0 (0.21)	1.9 (0.19)
0m	6.6 (0.67)	3.5 (0.36)	3.3 (0.33)	3.6 (0.37)	2.0 (0.20)	1.9 (0.19)

Please note:

\* The lifting capacities are based on ISO 10567 and do not exceed 75% of the static tilt load of the machine or 87% of the hydraulic lifting capacity of the machine.

\* The excavator bucket, hook, sling and other lifting accessories are not included on this table.



\* Working ranges are with Kubota standard bucket, without quick coupler.  
\* Specifications are subject to change without notice for purpose of improvement.

## KUBOTA ZERO-TAIL SWING MINI-EXCAVATOR

# U15-3



### KUBOTA (U.K.) LTD

Dormer Road, Thame Oxfordshire,  
OX93UN, U.K.  
Phone : 01844-268140  
F a x : 01844-216685

## With the extraordinary zero-tail swing U15-3, performance knows no bounds.

Introducing the U15-3 – the complete Zero-tail Swing, engineered like no other for a wider range of performance applications. You can expect superb lifting and breakout force, enhanced safety and comfort features, as well as the convenience of simple maintenance, transport and a host of easy-to-manage attachments, such as buckets or hydraulic breaker. The U15-3. The excavator for owner operators and rentals.



### Operability / Basic Features

With well balanced basics such as advanced variable displacement pumps for smoother operation, an economical Kubota engine, and a more muscular bucket breakout force, it's no wonder the U15-3 gives you a decisive advantage in power, efficiency and performance over other excavators in its class.

### Working Range

We've designed the U15-3 keeping excellent digging depth and arm reach as high priorities required on 1.5 tonne machines. And while it's a zero-tail swing machine, it achieves a wide range of jobs equally as well as conventional models.



### Powerful Lifting Force

The U15-3's high-powered lifting force is among the largest in the 1 to 2 tonne category.

## PERFORMANCE

## COMFORT / SAFETY

### ROPS/FOPS Canopy

Safety first. The canopy conforms to ROPS (Roll-Over Protective Structure) and FOPS (Falling Objects Protective Structure) level 1 specifications, so that you can concentrate on what's important – your work.

### 2-Speed Travel Switch on Dozer Lever

Relocated to the dozer lever, the newly designed travel switch makes changing travel speed as well as dozer operation easier. What's more, its placement has increased legroom, allowing users to operate comfortably.

### Operation Panel

The U15-3's panel provides you with easy-to-read operation information.



### Straight Travel

Now, loading and unloading is safer due to a unique Kubota hydraulic system that provides straight travel, even during simultaneous operations.

### Lock System

To prevent unexpected machine movement, the safety lever must be raised to lock out the travel levers and pilot controls before the engine will start.



### Operator's Seat

We've integrated a comfortable seat to make operator performance more productive.

### Wider Foot Area

Relocation of the 2-speed travel operation gives a more comfortable foot space.



## MAINTENANCE

### Hydraulics Maintenance

Now, accessing the under-deck hydraulics is fast and easy, thus reducing down time. There are no bolts to unscrew. Just lift the rubber mat and open the floor plate. It's that simple.



### Maintenance

Daily maintenance is easy because the rear bonnet, side covers and the under-seat cover open up. Under the rear bonnet, you'll find the expansion tank, air filter, fuel filter and engine oil gauge. The left-side panel opens up and enables access to the battery and radiator, while behind the seat, a circular window allows engine oil replenishment.



### Front Bush Pins

For increased durability, we've introduced bushings throughout the U15-3's pivot points on the swing bracket, as well as critical jointed points. And if necessary, the bushings can be easily replaced.



### Standard Equipment

#### Engine/Fuel system

- Double-element air cleaner
- Electric fuel pump

#### Undercarriage

- 230mm rubber track
- 2-speed travel
- Variable track

#### Hydraulic system

- Pressure accumulator
- Hydraulic pressure checking ports
- Straight travel circuit
- Third-line hydraulic return
- Variable pump

#### Safety system

- Engine Start Safety System on the left console
- Travel Lock System
- Swivel Lock System

#### Working equipment

- 950mm arm
- Auxiliary hydraulic circuit piping to the arm's end
- Working light on the boom

#### Canopy

- ROPS (Roll-Over Protective Structure, ISO 3471)

- FOPS (Falling Objects Protective Structure) Level 1
- Weight-adjustable, semi-suspension seat
- Seatbelt
- 12V power source
- Hydraulic pilot control levers with wrist rests
- Switch and harness for beacon light

### Optional Equipment

- 230mm steel track (+70kg)